



US009282105B1

(12) **United States Patent**
Tomasso

(10) **Patent No.:** **US 9,282,105 B1**
(45) **Date of Patent:** ***Mar. 8, 2016**

(54) **WIDE AREA NETWORK ACCESS
MANAGEMENT COMPUTER**

(71) Applicant: **KCT HOLDINGS, LLC**, Turnersville,
NJ (US)

(72) Inventor: **Keiron Christopher Tomasso**, Sewell,
NJ (US)

(73) Assignee: **KCT HOLDINGS, LLC**, Turnersville,
NJ (US)

(*) Notice: Subject to any disclaimer, the term of this
patent is extended or adjusted under 35
U.S.C. 154(b) by 0 days.

This patent is subject to a terminal dis-
claimer.

(21) Appl. No.: **14/480,265**

(22) Filed: **Sep. 8, 2014**

Related U.S. Application Data

(63) Continuation of application No. 12/956,401, filed on
Nov. 30, 2010, now Pat. No. 8,832,425.

(60) Provisional application No. 61/265,464, filed on Dec.
1, 2009.

(51) **Int. Cl.**
G06F 21/00 (2013.01)
H04L 29/06 (2006.01)

(52) **U.S. Cl.**
CPC **H04L 63/105** (2013.01); **H04L 63/0272**
(2013.01)

(58) **Field of Classification Search**
CPC H04L 63/105; H04L 63/30; H04L 63/0272
See application file for complete search history.

(56) **References Cited**

U.S. PATENT DOCUMENTS

7,623,458 B2 * 11/2009 Ayyagari et al. 370/235
8,219,799 B1 * 7/2012 Lucchesi et al. 713/153

2007/0005780 A1 1/2007 Hanson
2009/0019527 A1* 1/2009 Winslow 726/4
2010/0017599 A1* 1/2010 Sellars et al. 713/156
2010/0254395 A1 10/2010 Smith et al.
2011/0103393 A1 5/2011 Meier et al.

OTHER PUBLICATIONS

Criste, "Implementing the Global Information Grid" May 18, 2004,
pp. 1-24.

Nakamoto, "Scalable HAIPE Discovery" 2006 in Visualizing Net-
work Information pp. 1-14.

Information Assurance Specialists, "Executive Computing Kit"
retrieved Dec. 11, 2012 from www.iaspecialists.com/docs/IAS_
ECK-Datasheet.pdf pp. 1-2.

Taclane Multibook Secure Laptop, retrieved Dec. 11, 2012 from
http://www.gdc4s.com/Documents/Products/Computing/
TACLANE-MultiBook/GD-TACLANE-MultiBook.pdf, pp. 1-2.

* cited by examiner

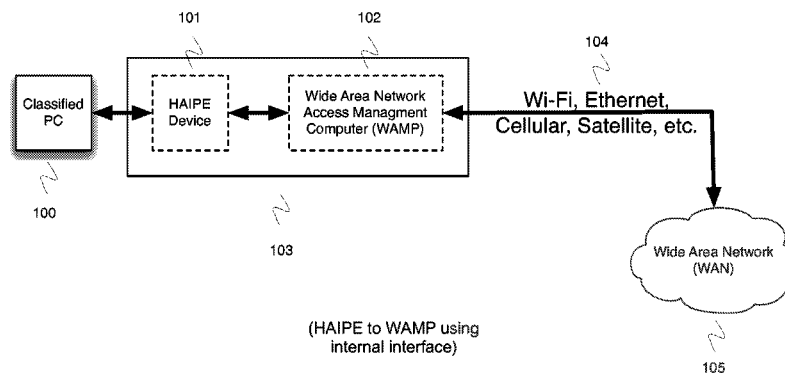
Primary Examiner — Lisa Lewis

(74) *Attorney, Agent, or Firm* — Volpe and Koenig, P.C.

(57) **ABSTRACT**

A system and method for connecting a classified internet
protocol (IP) network to a public IP network including an
unclassified computing device. The unclassified computing
device is a wide area network access management computer
which directly connects to a National Security Agency (NSA)
High Assurance Internet Protocol Encryptor (HAIPE) device
and interfaces between the IP network and the classified IP
network. The wide area network access management com-
puter includes a graphical user interface, an internal data
network communications interface, an external data network
communications interface and a processing unit. The process-
ing unit operates the network interfaces and presents infor-
mation to the graphical user interface and interprets user
input from the graphical user interface. The processing unit
also performs the processing and protocols associated with the
internal and external networks, performs client processing
and allows the user to interact with services on any of the
attached networks.

17 Claims, 2 Drawing Sheets



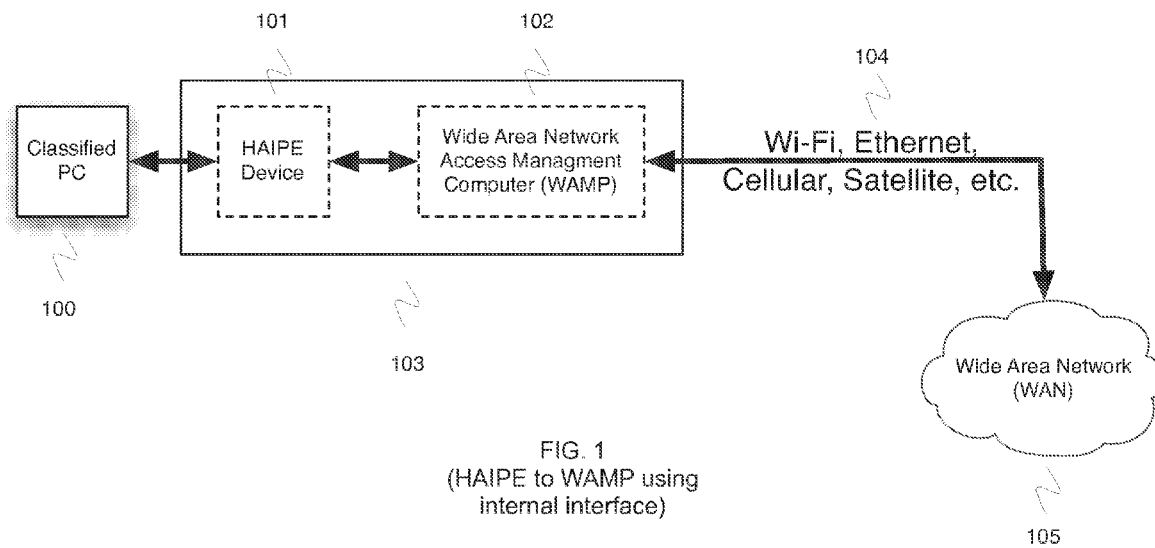


FIG. 1
(HAPE to WAMP using
internal interface)

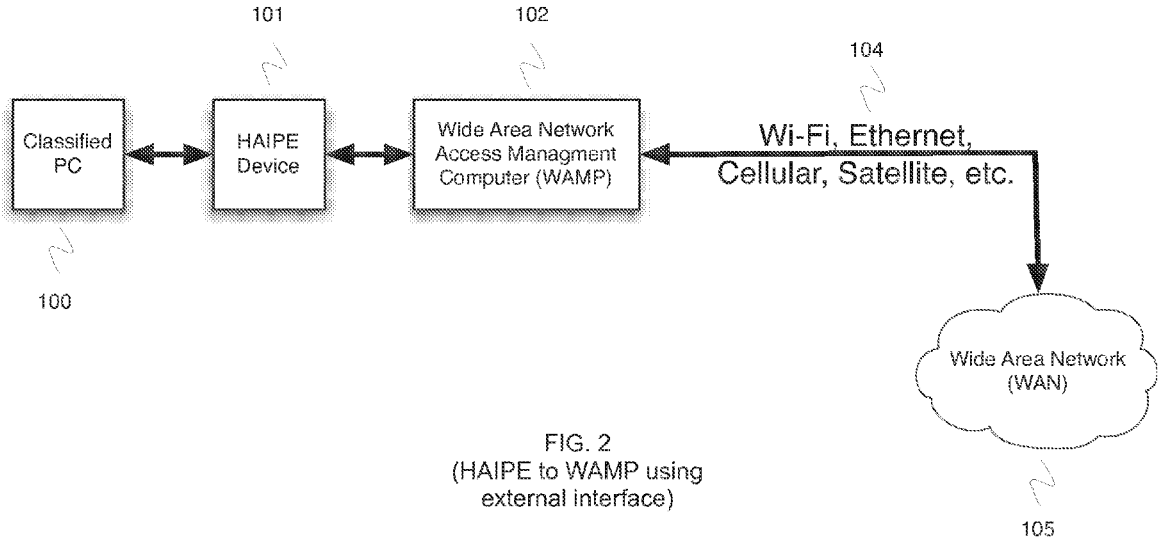


FIG. 2
(HAIZE to WAMP using
external interface)

1

WIDE AREA NETWORK ACCESS MANAGEMENT COMPUTER

CROSS REFERENCE TO RELATED APPLICATION

This application is a continuation of U.S. patent application Ser. No. 12/956,401, filed Nov. 30, 2010, which will issue on Sep. 9, 2014 as U.S. Pat. No. 8,832,245, which claims the benefit of U.S. provisional application No. 61/265,464 filed Dec. 1, 2009, which are incorporated by reference as if fully set forth.

FIELD OF INVENTION

This invention relates to the field of secure network connection devices.

BACKGROUND

The government and military widely use internet protocol (IP) based communications, including use in dynamic operational environments. Dynamic operational environments can take place in hotel rooms, residences, forward operating bases, and/or other impromptu temporary locations. Dynamic operating environments are considered to be any location where an individual, or individuals, desires to connect to a government or military network over an IP based communications connection.

These highly agile IP based communications sessions may include the required use of a National Security Agency (NSA) accredited encryptor to protect sensitive or classified information and a classified computer, or computers, to view, edit, or generate sensitive or classified data. These classified computers are protected from exposing sensitive or classified information to the public IP network through the use of a NSA accredited High Assurance Internet Protocol Encryptor (HAIPE) device.

In these dynamic operational environments an individual may need to acquire, purchase, or authorize access to the IP network. Further, they may need to configure, establish, authenticate, or manage the way in which the NSA HAIPE device connects, or interfaces, to the IP network, which may be the Internet or any other Wide Area Network. However, it is against government and military security policy to connect a computer that holds, or may hold, sensitive or classified information to an IP network for the purpose of acquiring, purchasing access to, authorizing us of, configuring, establishing a connection with, authenticating, or managing the connection or availability of an IP network in an effort to prevent potential inadvertent disclosure of sensitive or classified information.

SUMMARY

An unclassified computer, a wide area network access management computer **102** here, enables a classified computer **100**, or computers, secured by a NSA HAIPE device **101**, or devices, to communicate classified communications over IP networks **105**. A communication system may include a classified computer terminal **100**, such as a laptop device or portable computing device, for example, a netbook, ultra mobile personal computer, voice over IP (VoIP) telephony device, and a NSA HAIPE cryptographic device **101**.

The wide area network access management computer **102** enables IP connectivity for the classified computing device **100**, or devices through enabling IP connectivity for the NSA

2

HAIPE device **101**, or devices. The wide area network access management computer **102** may be connected directly to a NSA HAIPE device **101** on its internal network interface, and a public IP network **105** on its external network interface. The wide area network access management computer **102** may be included in a system of subsystems **103**, where that system of subsystems **103** may include a NSA HAIPE device **101** and a wide area network access management computer **102**.

The wide area network access management computer **102** may be configured to interface between the NSA HAIPE device **101**, or devices and the internet protocol (IP) network **105** such that a secure channel is established between the classified computing device **100**, or devices, protected by the NSA HAIPE device **101** attached on the internal network interface and a classified computer network which they seek to view, edit, or generate sensitive or classified data on or across reach through its external network interface.

The wide area network access management computer **102** may include a graphical user interface, internal network interfaces (such as an Ethernet interface, for example), external network interfaces (such as an Ethernet, 802.11 Wi-Fi, 802.16 Wi-Max, BlueTooth, 2G/3G/4G Cellular, or satellite interface **104**, for example), and a processing unit with an operating system (such as Microsoft Windows, Linux, OS X, for example). The processing unit performs the operations necessary to operate the internal network interfaces and external network interfaces, as well as present information to the graphical user interface and interpret user input from the graphical user interface. The processing unit leverages an operating system and associated applications to perform the processing and protocols associated with interconnecting the internal and external network interfaces including, but not limited to, routing protocols, proxy services, and encapsulation protocols. The processing unit also performs network client processing such as web browsing, video teleconference (VTC), VoIP telecommunications, chat, email and other processing to allow the user to interact with services provided on any of the attached networks.

BRIEF DESCRIPTION OF THE DRAWINGS

FIG. 1 is a block diagram of an example implementation of the wide area network access management computer implemented using internal interfaces.

FIG. 2 is a block diagram of an example implementation of the wide area network access management computer implemented using external interfaces.

DETAILED DESCRIPTION

An individual that needs to access sensitive or classified government or military networks must do so using a NSA HAIPE network encryptor **101** and a computing device **100** of some sort. The wide area network access management computer **102** may allow the NSA HAIPE device **101**, and subsequent computing device **100**, or devices, to gain access to IP data networks over various IP network connectivity options, using various IP networking protocols. The wide area network access management computer **102** acts as a go between for the NSA HAIPE **101** and the public IP network **105**. The wide area network access management computer **102** is configured to interface between an IP network **105** and the classified IP network.

An individual may wish to use a hotel Ethernet connection to gain access to the Internet in order to connect back to a sensitive or classified network. However, most hotels require that the individual who wishes to use the hotel provided

internet service to pay a small one time or recurring fee for service. This fee payment, and connectivity, takes place using a graphical user interface and an Internet browser software program running on this graphical user interface. The wide area network access management computer **102** may allow the individual to access an internet browser software program to allow for subscription to the hotel internet service, without having to connect the individual's classified computing device **100** to the public internet (which is against government and military security policy).

Additionally, the wide area network access management computer **102** may allow an individual, or individuals, to connect to many types of data network connections that allow for IP network connectivity. These connections include but are not limited to, Ethernet, 802.11 Wi-Fi, 802.16 Wi-Max, BlueTooth, 2G/3G/4G Cellular, or satellite interfaces **104**. Also, the wide area network access management computer **102** allows individuals to take advantage of various software-based performance enhancing protocols, applications, or other network or computing tools.

FIG. 1 shows a block diagram of an example implementation of the wide area network access management computer **102**. The classified computing device **100** is connected to the NSA HAIPE device **101** and the NSA HAIPE device **101** is connected to the wide area network access management computer **102** on its internal network interface. The wide area network access management computer **102** is connected to the wide area network (WAN) **105** on its external network interface. Together, the NSA HAIPE device **101** and the wide area network access management computer **102** form a subsystem **103**.

The wide area network access management computer **102** may include a graphical user interface to allow the user to access information and input commands. The wide area network access management computer **102** also includes an internal data network communications interface and an external data network communications interface. The internal data network communications interface allows for the connection of the wide area network access management computer **102** and the NSA HAIPE device **101**. This connection may be established by an Ethernet interface. The external data network communications interface allows for the wide area network access management computer **102** to connect to the public IP network **105**. The external data network communications interface may be connected to the public IP network **105** through a connection such as Ethernet, 802.11 Wi-Fi, 802.16 Wi-Max, BlueTooth, 2G/3G/4G Cellular, or satellite interface **104**.

The wide area network access management computer **102** may also include a processing unit which runs on an operating system. The processing unit operates the connections between the internal and external data network communication interfaces. The processing unit also enables the wide area network access management computer **102** to display information on the graphical user interface. The processing unit interprets the user input from the graphical user interface and processes the connections necessary for the internal and external data network communication interfaces. The processing unit allows the user to access services provided on any attached networks. The processing unit also performs client processing, including web browsing, video teleconferencing, VoIP telecommunications, chat, email and other services.

FIG. 2 shows a block diagram of an example implementation of a wide area network access management computer using external interfaces. The classified computing device **100** is connected to the NSA HAIPE device **101** and the NSA HAIPE device **101** is connected to the wide area network

access management computer **102** on its external network interface. The wide area network access management computer **102** is connected to the wide area network (WAN) **105** on its external network interface. Together, the NSA HAIPE device **101** and the wide area network access management computer **102** are configured to provide individual to access an internet browser software program to allow for subscription to a hotel internet service, without having to connect the individual's classified computing device **100** to the public internet (which is against government and military security policy).

Features and elements are described above in particular combinations, each feature or element can be used alone without the other features and elements or in various combinations with or without other features and elements.

What is claimed is:

1. A network access management device for secure communications comprising:
 - an internal data network communications interface configured to communicate with a classified computing device using a National Security Agency (NSA) High Assurance Internet Protocol Encryptor (HAIPE);
 - an external data network communications interface configured to communicate with an unclassified network;
 - a processor configured to perform processing and protocols associated with interconnecting the internal data network communications interface and the external data network communications interface, and associated with subscribing the network access management device to the unclassified network;
 wherein data can be communicated between the classified computer and the unclassified network via the network access management device on a condition that the device has been subscribed to the unclassified network.
2. The network access management device of claim 1, wherein subscribing the network access management device to the unclassified network comprises configuring the external data network communications interface for paid services on the unclassified network using an internet browser via a user interface.
3. The network access management device of claim 1, wherein configuring the external data network interface includes using an internet browser on an unclassified communications device's graphical user interface to allow for subscription to paid network services.
4. The network access management device of claim 1, wherein the internal data network communications interface is configured to connect the network access management computer and the NSA HAIPE.
5. The network access management device of claim 1, wherein the internal data network communications device is configured to connect the network access management computer and the classified computing device via the NSA HAIPE.
6. The network access management device of claim 1, further comprising: a user interface configured to facilitate classified network communications of at least one of the group consisting of web browsing, video teleconferencing (VTC), voice over IP (VoIP) telecommunications, chat, and e-mail.
7. The network access management device of claim 1 wherein the external data network communications interface is an 802.11 wifi interface.
8. The network access management device of claim 1 wherein the external data network communications interface is a cellular interface.

5

9. The network access management device of claim 1 wherein the external data network communications interface is a satellite interface.

10. The network access management device of claim 1 wherein the processor includes a Linux operating system.

11. The network access management device of claim 1 wherein the processor includes a Microsoft Windows operating system.

12. A method for secure communications using a network access management device which comprises an internal data network communications interface configured to communicate with a classified computing device using a National Security Agency (NSA) High Assurance Internet Protocol Encryptor (HAIPE), an external data network communications interface configured to communicate with an unclassified network, and a processor configured to perform processing and protocols associated with interconnecting the internal data network communications interface and the external data network communications interface, and associated with subscribing the network access management device to the unclassified network; the method comprising:

 permitting communications between the classified computer and the unclassified network via the network access management device on a condition that the device has been subscribed to the unclassified network using the user interface.

6

13. The method of claim 12, wherein subscribing the network access management device to the unclassified network comprises configuring the external data network communications interface for paid services on the unclassified network using an internet browser.

14. The method of claim 12, wherein configuring the external data network interface includes using an internet browser on an unclassified communications device's graphical user interface to allow for subscription to paid network services.

15. The method of claim 12, wherein the internal data network communications interface is configured to connect the network access management computer and the NSA HAIPE.

16. The method of claim 12, wherein the internal data network communications device is configured to connect the network access management computer and the classified computing device via the NSA HAIPE.

17. The method of claim 12, further comprising facilitating classified network communications of at least one of the group consisting of web browsing, video teleconferencing (VTC), voice over IP (VoIP) telecommunications, chat, and e-mail.

* * * * *